

# RJ Series



# CircuPool®

Electronic Chlorine Generator

# SAFETY INSTRUCTIONS

**IMPORTANT SAFETY INSTRUCTIONS.** Read and follow all instructions. Ensure all owners / operators of this equipment have access to these instructions. Save all instructions.



**WARNING:** Follow all aspects of local and National Electrical Code(s) when installing the CircuPool RJ Series. Disconnect all electrical power during installation & service.



**WARNING:** To reduce the risk of injury, do not permit children to operate this device. Service should only be attempted by a qualified professional.



**WARNING:** Heavy pool (and/or spa) usage and higher temperatures may require higher chlorine output to maintain proper free available chlorine residuals. The actual amount of chlorination required by your pool can change, and varies according to factors not limited to bather load, rain, temperature, dirt, debris, and chemical balance.



**WARNING:** Safe operation of the electrolytic cell requires a minimum water flow rate of 20 gpm. Never operate the unit when the flow of water is restricted. Always turn unit off when operating any plumbing control valves such as for backwashing, water exhaust, or during operation of spa or water features if operation restricts water flow to the cell. A build-up of flammable gases will result in hazardous conditions.



**WARNING:** We strongly recommend against the use of isolation valves. If full pump pressure is applied to an isolated component, it may be prone to rupture. Turn off all pumps before changing valve positions. Prevent water pressure spikes at Electrolytic Cell.

- Before installation, ensure that materials and equipment used in and around the pool are compatible with the use of chlorinated water and salt. Avoid high chlorine and high salt levels (above the recommended range); it is possible that certain materials and pool (and/or spa) equipment may be susceptible to damage.
- Ensure that the chlorinator operates only when the circulation pump is operating. When installed with a pool equipment timer or control system, the Control Module (wall unit) must be to the load side of the timer clock or control relay.

- If additional chlorine is required (due to heavy bather loads, for example), use Sodium Hypochlorite to maintain an appropriate chlorine residual in the water.
- DO NOT add acid or other concentrated chemicals directly to the skimmer. This may damage the cell.
- Check the expiration date of any test kits as test results may be inaccurate if used after that date.
- When replacing the cell, only use replacement cells having a label that clearly states that it is the replacement for this RJ / RJ-PLUS Series model.
- Proper pool chemistry must be maintained at all times. For outdoor pools, chlorine residuals can be protected from destruction by sunlight by addition of stabilizer (cyanuric acid).
- The use of dry acid may damage the salt cell and is not recommended. When using liquid acid, always add acid to water, never water to acid.
- For proper sanitation, spas must be completely drained periodically. The number of days between COMPLETE SPA DRAINAGE is equal to the volume of the spa water in gallons, divided by 10 times the maximum number of daily spa users. Refill spa with water and repeat initial startup instructions on page 3 of this manual.
- Ensure that the RJ Series installation does not constitute a cross connection with the local potable water supply. Consult local plumbing codes.
- Note: Some local codes may require external grounding source. Check your local ordinances.
- To reduce the risk of electric shock, the ground wire (green wire) on the power cord must be connected to the grounding means provided in the electric supply service panel.
- One bonding lug for US models is provided on the external surface. To reduce the risk of electric shock, connect the local common bonding grid in the area of the swimming pool, spa, or hot tub to these terminals with an insulated or bare copper conductor not smaller than 8 AWG US.

# TABLE OF CONTENTS

INTRODUCTION	1
GETTING STARTED	1
SYSTEM OVERVIEW	2
WATER CHEMISTRY & SALT LEVELS	
Preparing the Pool Water	3
Ideal Salt Level & Pool Size	3
Adding Salt	4
Ideal Water Chemistry Levels	6
OPERATION	
How it Works	8
Initial Start Up	8
General Operation	9
Using the Control Module	10
MAINTENANCE	
Expected Maintenance	13
Cleaning the Electrolytic Cell	13
General Maintenance	14
INSTALLATION	
Overview	16
Installing the Electrolytic Cell & Flow Switch	17
Installing the Control Module	19
Wiring	20
Installation Checklist	22
VOLTAGE CONVERSION	23
HELPFUL HINTS	24
TROUBLESHOOTING	26
WARRANTY	28



## RJ Series Owner's Manual

### INTRODUCTION

***Congratulations*** on your recent purchase of a CircuPool RJ Series Electronic Chlorine Generator. CircuPool's high performance systems offer escape from the routine of manual pool chlorination and sanitization. The RJ Series uses a low level of salt in the pool water to continuously create free chlorine, killing bacteria and algae in the water and helping to maintain a sparkling clean pool. Please take a moment to read through the entire manual before installing your new unit. Your generator must be installed and operated as specified.

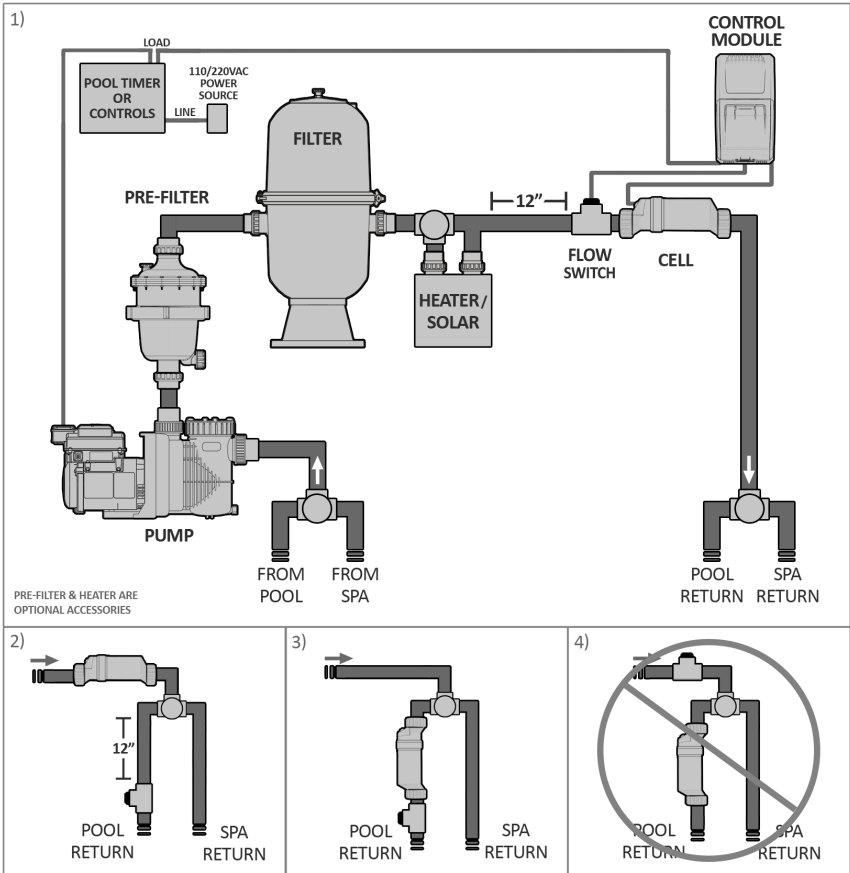
### GETTING STARTED

**READ ENTIRE MANUAL FIRST** - To ensure consistent & reliable operation, the pool and equipment must be used and maintained as specified. Most issues are easily avoidable with correct maintenance.

As with any electrical device, it is very important that the installation and service of this equipment be performed by a qualified person with the skills and experience required to do it safely and correctly. Improper installation or service can result in severe electrical shock to the installer or user of the equipment or pool. Please choose your installer with great care! Be sure to familiarize yourself with the pool chemistry requirements and maintenance procedures.

Please visit [www.circupool.com/help](http://www.circupool.com/help) for more information, tips, and troubleshooting assistance.

# SYSTEM OVERVIEW



There are three main components to your CircuPool RJ Series system: the Control Module, the Electrolytic Cell, and the Flow Switch.

**Control Module:** This component supplies power to the cell and allows you to customize the system's operation in order to meet your pool's unique needs.

**Electrolytic Cell:** This component creates chlorine as the water inside passes through and returns to the pool. The Electrolytic Cell ("Cell") contains a set of titanium plates that use a low level of electrical power to generate chlorine from salt in the water.

**Flow Switch:** This component ensures that there is adequate water flow for the Cell to activate.

# Water Chemistry & Salt Levels

## Preparing the Pool Water

It is important that the pool's water chemistry is balanced before the RJ Series is powered on and used. In order for the system to be able to work, there must be a minimum level of salt in the pool water, see "Salt Levels" below. In order to achieve normal pool operation, water chemistry needs to be balanced according to the national standards listed under "Ideal Chemistry Levels" on page 6.

**DO NOT add chemicals or salt directly to the skimmer.** This may damage the cell. If the Electrolytic Cell has already been installed, it should not be turned on before adding salt. Leave salt chlorinator off any time there is a chance of recently added chemicals going through the salt cell in a concentrated form.

## Ideal Salt Levels & Pool Size

The ideal salt level for operation is about 3500 ppm (parts per million), and it is suggested to keep the salinity between 3000-4000 ppm . To achieve this level of salinity, use the chart on page 5, which will help you add approximately 30 lbs of salt for every 1000 gallons of water (or 3.6 Kilograms of salt for every 1000 Liters). If you are unsure of the number of gallons in your pool, double-check with the following equations.

### Calculating Gallons (Measurements in Feet)

- Rectangular - Length x Width x Average Depth x 7.5
- Round - Diameter x Diameter x Average Depth x 5.9
- Oval - Length x Width x Average Depth x 6.7

### Example (rectangular pool):

32' Length x 16' Width x 4.5' Average Depth x 7.5 = 17280 Gallons

## Adding Salt

**IMPORTANT:** Before adding salt at any time, ALWAYS perform an independent water test to measure pre-existing salt levels.

After measuring for any existing salt content in the pool, add salt according to the chart on page 5. The chart allows you to cross-reference your existing salt level and your pool size to determine the estimated number of pounds of salt required to achieve 3500 ppm. Without the right amount of salt, the result will be reduced efficiency and a low level of chlorine production. In addition, operation at low salt levels will reduce the longevity of the cell.

When adding the salt to the pool, it is best to empty the required salt into the shallow end of the pool and run the filter and pump simultaneously in order to circulate the water and dissolve the salt (the RJ Series is to remain off during this time period). Do not throw the salt bag into the water as chemicals and inks on the bag can interfere with water balance. **Salt may take 24 - 48 hours to dissolve** in summer, and longer in winter. Finer granules of salt will dissolve faster than compressed pellets.

The salt in your pool is constantly recycled and does not normally need to be replenished frequently. The loss of salt throughout the swimming season should be small, and is due primarily to the addition of extra water to replace water lost from splashing, backwashing, and draining. Salt is not lost due to evaporation.

Use only evaporated, granulated, non-iodized salt (Sodium Chloride). The purer the salt (at least 99%), the better the life and performance of the Electrolytic Cell.

Water Softener salt (also known as Water Conditioning pellets) is an economical way to buy large quantities of salt. However, only salt that is at least 99% pure NaCl can be used. Pellets are compressed forms of evaporated salt that may take longer to dissolve. Avoid using salt with

anti-caking agents (Sodium Ferrocyanide, also known as YPS or Yellow Prussiate of Soda) that could cause discoloration of fittings and surface finishes in pool. Do not use Calcium Chloride as a source of salt. Do not use Rock Salt; insoluble impurities mixed with the rock salt can shorten the life of the unit.

**Salt Level before addition (PPM)**

0	500	1000	1500	2000	2500	3000	3500
---	-----	------	------	------	------	------	------

**How Much Salt to Add (Lbs)**

Volume of Water (Thousands of Gallons)	4	117	100	83	67	50	33	17	0
	6	175	150	125	100	75	50	25	0
	8	234	200	167	133	100	67	33	0
	10	292	250	209	167	125	83	42	0
	12	350	300	250	200	150	100	50	0
	14	409	350	292	234	175	117	58	0
	16	467	400	334	267	200	133	67	0
	18	525	450	375	300	225	150	75	0
	20	584	500	417	334	250	167	83	0
	22	642	550	459	367	275	183	92	0
	24	701	600	500	400	300	200	100	0
	26	759	651	542	434	325	217	108	0
	28	817	701	584	467	350	234	117	0
	30	876	751	626	500	375	250	125	0
	32	934	801	667	534	400	267	133	0
	34	992	851	709	567	425	284	142	0
	36	1051	901	751	600	450	300	150	0
	38	1109	951	792	634	475	317	158	0
	40	1168	1001	834	667	500	334	167	0
	42	1226	1051	876	701	525	350	175	0
44	1284	1101	917	734	550	367	183	0	
46	1343	1151	959	767	575	384	192	0	
48	1401	1201	1001	801	600	400	200	0	
50	1460	1251	1043	834	626	417	209	0	

**TIP:** When adding *large* quantities of salt, start with an independent test of the existing salinity level and add in portions, retesting at each stage.

## Ideal Water Chemistry Levels

It is important to maintain these chemistry levels in order to ensure that the pool can be enjoyed safely, to minimize the amount of effort required to sanitize the water, and to prevent corrosion or scaling. The only unique requirement for a pool with a chlorine generator is the low level of salt (salinity) to be maintained in the water. It may be helpful to provide this manual to any pool professional that you may have performing chemical testing or service, as requirements may vary from brand to brand.

	<u>Swimming Pools</u>	<u>Spas</u>
<b>Free Available Chlorine</b>	1.0 - 3.0 ppm	3.0 - 5.0 ppm
<b>Salinity</b>	3000 - 4000 ppm	3000-4000 ppm
<b>pH</b>	7.2 - 7.8	7.2 - 7.8
<b>Total Alkalinity</b>	80 - 120 ppm	80 - 120 ppm
<b>Calcium Hardness</b>	200 - 400 ppm	150 - 450 ppm
<b>Stabilizer (Cyanuric Acid)</b>	60 - 80 ppm	60 - 80 ppm
<b>Saturation Index</b>	-0.2 to +0.2 (0 Best)	-0.2 to +0.2
<b>Phosphates &amp; Nitrates</b>	None (0 Best)	None

### CHEMISTRY TIPS:

#### **Chlorine Stabilizer (Cyanuric Acid)**

Stabilizer is needed to maintain proper levels of chlorine; the sun's UV radiation can destroy unstabilized chlorine in as quickly as 2 hours. Stabilizer should be maintained between 60-80 ppm.

#### **Nitrates and Phosphates**

These chemicals are very common and can cause extremely high chlorine demands and will deplete chlorine from your pool. When present, they greatly increase the pool's chlorine demand and can easily lower your free chlorine levels to zero. Your local pool professional can test for Nitrates and Phosphates, levels should be at zero.

## **Langelier Saturation Index**

A calculated number used to predict the calcium carbonate stability of water. If the index is higher than +0.2, it can cause quick and excessive calcium scaling on the salt cell. If the index is lower than -0.2, it can cause the water to be corrosive and damaging to metals and minerals in the water, such as the titanium inside the Cell.

## **Metals**

Metals can cause the loss of chlorine. Also, metals can stain your pool and tint your water. Have your local professional test and recommend methods of removal.

## **Chloramines**

Chloramines should not be present in pool water. When organic materials are not fully oxidized by Free Chlorine, Chloramines are formed. This ties up the Free Chlorine in your pool, and does not allow the chlorine in your pool to disinfect. Chloramines also cloud pool water and burn the eyes. Super Chlorinate (shock) to remove Chloramines at the initial startup of the pool.

## **pH Levels**

pH produced by the Electrolytic Cell is close to neutral pH. However, other factors usually cause the pH of the pool water to rise. Therefore the pH in a saltwater pool tends to stabilize at approximately 7.8. This is within national standards. If the pool pH rises above 7.8, have a pool professional test to see if other factors such as high Calcium Hardness or Total Alkalinity are the cause, and then balance accordingly.

## **Total Dissolved Solids (TDS)**

Adding salt to pool water will raise the TDS level. While this does not adversely affect the pool water chemistry or clarity, the pool professional testing for TDS must be made aware that salt has been added. The individual performing the TDS test will then subtract the salinity level to arrive at the correct TDS level.

# OPERATION

## How it works

Think of the RJ Series as a chlorine generator; set it to create a steady supply of chlorine for the pool, instead of buying and adding chlorine by hand.

How it works: Using electrolysis, it creates chlorine from the salt molecules (NaCl) in your water in order to sanitize your pool. A small electric charge is applied across a set of titanium plates inside the Electrolytic Cell. This produces Sodium Hypochlorite (NaOCl). In water, Sodium Hypochlorite dissociates into sodium (Na<sup>+</sup>) and hypochlorite (OCl<sup>-</sup>) ions. It is the hypochlorite ions that form with the hydrogen (H<sup>+</sup>) ions (from the water) to form hypochlorous acid (HOCl), which is the active agent that destroys bacteria and algae, and oxidizes organic matter. This form of chlorine works quickly in the pipe, leaving only a mild residual in the pool. In addition, the Electrolytic Cell continuously “shocks” the incoming water- burning off any oils, organic matter, or other particles that need to be oxidized.

Best of all, the process continuously recycles the salt: after cleaning the pool, the original molecules reform and the whole process begins again. The salt doesn't get used up!

## Initial Start Up

Before starting the system for the first time, verify that the pool water is chemically balanced (see page 3) and that all installation items are completed (see page 16)

Apply power to the pool pump switch (or timer controls). This should activate the system, and within moments the green LED lights for "Power" and "Generating" should be illuminated. During this time, you may also see the "No-Flow" light flash for up to 60 seconds as your pump begins its operation. During this time, the system will also check that the cell is connected, and may display a message on screen if it is not.

Once powered on, you'll want to set its power level (Chlorine Output). To find the optimum Chlorine Output setting, start at a setting of 70% and adjust as needed over the initial start up period. Measure your available chlorine in the pool after two to three days, and adjust the Chlorine Output level accordingly. If the available chlorine is too high, lower the Output level; if the available chlorine is too low, raise the Output level. It will take a few adjustments to find the ideal setting for your pool. Once set for the pool's current needs, it should only take minor adjustments throughout the season.

## General Operation

By familiarizing yourself with the operation of the RJ Series, you can achieve the maximum performance for your pool. There are typically three factors that you can control which directly contribute to the free chlorine level that will be available in the pool:

**1) The chosen percentage of Chlorine Output** on the Control Module

**2) Hours of pump run-time each day**

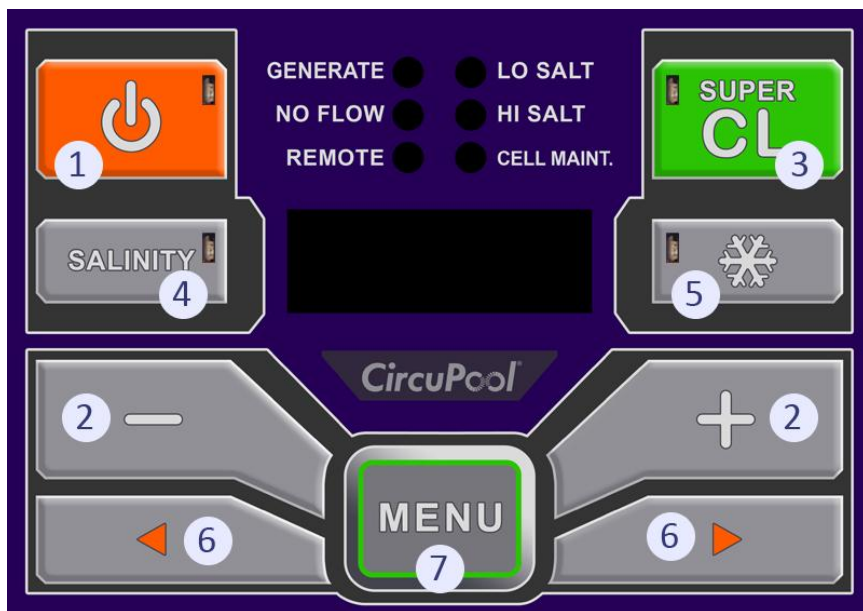
**3) Water chemistry balance**

- Including the amount of salt in the pool and chemicals that affect chlorine demand, such as chlorine stabilizer, phosphates, nitrates, and more. See "Ideal Chemistry Levels" on page 3 for more important information.

After making the initial adjustments to your chosen Chlorine Output level, additional adjustments are typically only necessary due to changing seasonal temperatures, or changes in pool use and bather load. Ensure that your pump runs long enough each day to move at least two times the amount of water in your pool through the filter daily. This is typically more than a sufficient amount of time for chlorination of the pool, but if the pool has high chlorine demand, running the pool pump longer allows for more chlorination. Measure your water chemistry and chlorine level on a regular basis.

As you use the system throughout the season, **make sure that you clean the Cell as frequently as needed** (see page 13). Once the system detects that the Cell needs to be cleaned, it will display a "Cell Maint." warning light, and then will not be able to create more chlorine until all mineral scaling has been removed from the Cell.

## Using the Control Module



### CONTROL BUTTONS

- 1) **Power:** Use this button to manually power the system on or off.
- 2) **Chlorine Output:** Use the plus/minus buttons to raise/lower the system's power setting (the rate of chlorine production), in order to customize operation for your pool's needs.
- 3) **Super CL:** Temporarily boosts Chlorine Output to 100% Maximum Power for 24 hours, or until power is removed from the system.
- 4) **Salinity:** Displays the average reading of the most recent salinity levels in the pool water. The average is constantly being updated by real-time salinity readings.

**TIP:** When first installed, this reading may display the last salinity readings taken at the factory. This average will begin to update with your pool's operation over the first 24 hours.

**TIP:** As mineral scaling builds up in the cell after regular use, the system may temporarily display an artificially low salinity level. After fully cleaning your Cell, it will begin to detect salinity normally again.

- 5) **Winter Mode:** Reduces the chosen Chlorine Output setting by half, for periods of low chlorine demand during cool weather.
- 6) **Select:** While in the Menu, the left/right arrows change options for Pool Temperature, Instant Salinity, and Cell Version.
- 7) **Menu:** Press sequentially to cycle through the following information:
1. **Pool Temperature** (xx degrees Fahrenheit or Celsius)
  2. **Cell Voltage** (in many cases 21.0 to 27.0 volts when chlorine is being generated, otherwise 16-31V)
  3. **Cell Current** (in many cases 2.50 to 7.80 amps when chlorine is being generated, otherwise 0 amps during normal rest cycles.)
  4. **Real-Time Salinity reading** ( xxxx PPM or x.x grams/Liter.)
  5. **System ID**
  6. **Software revision level**
  7. **Cell Version.**

**NOTE:** You may see a negative sign in front of some diagnostic numbers during normal operation. This is normal and indicates the system is on one of its two Reverse Polarity cycles.

## LED INDICATOR LIGHTS:

- **Power:** Located on the Power Button, this LED indicates that the Control Module is receiving input power when illuminated.  
**SAFETY TIP:** Using the Power Button to turn the system off DOES NOT remove power from the control box. Always disconnect power at the circuit breaker prior to attempting any service procedure.
- **Generate:** This LED is illuminated intermittently during normal operation, and indicates that the system is currently generating chlorine. This light will be off during normal rest periods of the system's duty cycle. When flashing, the pool water is either too hot or too cold for chlorine generation.
- **Super CL:** Located on the Super CL Button, this LED is illuminated when the Super CL mode has been activated.

- **Winter Mode:** Located on the Winter Mode Button (snow flake icon), this LED is illuminated when the winter mode has been activated.
- **Salinity:** Located on the Salinity button, this LED is illuminated when the button has been pressed to display the salt level reading.
- **Remote:** The part is controlled by a remote control system.
- **No Flow:** This LED is illuminated when the Flow Switch has detected no flow. This causes the Cell to stop generating chlorine. A flashing LED indicates that the flow is restored, but there will be a 60 second delay before generation is reestablished.
- **Cell Maint.:** This LED is illuminated when Cell efficiency is greatly reduced and the Cell has stopped producing chlorine. This will eventually happen with normal operation, and at this point the cell simply must be cleaned: see instructions on page 13. Be sure to inspect the cell after cleaning; look through the cell to make sure there are no physical particles or blockages between the titanium plates. If after cleaning the Cell Maint. light comes back on within 10-15 minutes of operation, verify salinity and Cell Version setting, and then continue to clean cell again more thoroughly as needed. It is possible for cleaning to be necessary even if debris or mineral build-up isn't immediately visible to the eye. Additionally, if inadequate water flow through the cell is not allowing titanium plates to be completely covered by water, this will also cause the system to experience a high amount of wear. If illuminated after thorough cleanings, verifying system parameters and complete water coverage in cell, Cell replacement may be necessary. **This light takes priority over any salinity readings or indicator lights**, as salinity readings may temporarily be artificially low during such conditions.
- **Lo Salt:** When this LED is illuminated, the salt level is near to its minimum threshold, and the Cell has shut down. The salt level must be raised before operation is restored. See also "Cell Maint." above. See page 4 for information about adding salt.
- **Hi Salt:** When this LED is illuminated, the salt level is too high, and the Cell has shut down. The pool water must be diluted with fresh water before operation is restored. See also "Cell Maint." above.

# MAINTENANCE

## Expected Maintenance

After the system has run for a time, your cell will eventually need to be cleaned due to natural mineral scaling. The system will notify you of this by turning on the "Cell Maint." light. When illuminated, follow the cleaning instructions below under "Cleaning the Electrolytic Cell".

The frequency of cleaning depends on your water chemistry and the Saturation Index of the water. For most people, cleaning is only necessary a handful of times per season. More rapid mineral build up is sure sign of a chronically high Saturation Index; it is possible for imbalanced chemistry to cause scaling to occur quite rapidly. Consult a pool professional for additional help.

## Cleaning the Electrolytic Cell

Once substantial deposits have built up on the titanium plates in the Cell, the "Cell Maint." light will illuminate, and the mineral scaling must to be removed. To do so, follow these steps:

**Important precautions:** When cleaning the Cell always wear adequate protection, such as rubber gloves and eye protection. Always add acid to water, do not add water to acid. Always work in a well-ventilated area. Splashing or spilling acid can cause severe personal injury and/or property damage.

### **Before removing the Cell for cleaning or replacement:**

- 1) Turn off all power to all pool equipment, close supply line valves if applicable.
- 2) Unplug the Cell cable connecting the Cell to the Control Module.
- 3) Disconnect the Cell by unscrewing the Threaded Collars around the PVC unions where the Cell attaches to the return line plumbing.
- 4) Remove entire Cell from between the unions. DO NOT pull or hold the Cell by its cable.

## Cleaning the Electrolytic Cell (Continued)

### To clean the Cell of mineral buildup:

- 1) Attach Cleaning Cap or Cleaning Stand (sold separately, available at [www.circupool.com](http://www.circupool.com)) and orient the Cell vertically. Place on the ground and stabilize so as to remain upright and prevent spilling.
- 2) In a separate bucket, mix one part muriatic acid into four parts water. Pour this weak acid solution directly into Cell. Ensure that the cleaning solution COMPLETELY fills the inside of the Cell.
- 3) Allow solution to soak for no more than fifteen minutes.
- 4) Properly dispose of acid solution, and use a hose to generously flush any remaining debris out of the Cell.
- 5) Look inside the cell to check that no debris or scaling remains. Repeat steps 2-4 if necessary.
- 6) Reinstall Cell into PVC return line.

**Note:** if you don't currently have a Cleaning Cap, you can completely immerse the cell body in a five-gallon bucket. For instructions, see guides listed under [www.circupool.com/help](http://www.circupool.com/help).

**Note:** If mineral build-up is severe, more than one cleaning may be necessary to dissolve remaining solids. Inspect cell plates closely with a bright light after cleaning. If you see any remaining scaling, debris, or physical blockages through Cell, repeat the cleaning process as needed. If "Cell Maint." comes back on soon after cleaning, verify salinity and system cell version setting, then clean cell again.

## General Maintenance

### Winterizing

Very little chlorine is necessary at low temperatures. The RJ Series will not produce chlorine at very cold temperatures, especially below 60° F. This feature extends the lifespan of the Cell. Additionally, Winter Bypass cells are available, which allow you to continue to run water through the plumbing without the Electrolytic Cell in place. (sold separately, available at [www.circupool.com](http://www.circupool.com))

If you “close” your pool for the winter, you can continue to follow all standard procedures for your local area.

The Electrolytic Cell will be damaged by freezing water just as your pool plumbing would. In areas which experience severe or extended periods of freezing temperatures, be sure to drain all water from the pump, filter, supply and return lines before any freezing conditions occur. The Control Module is capable of withstanding any winter weather and does not need to be removed.

### **Spring Start-up**

When opening the pool after a period of inactivity, do not power on and use the chlorine generator until the pool's water chemistry has been balanced and brought to ideal levels.

### **Replacing the Cell**

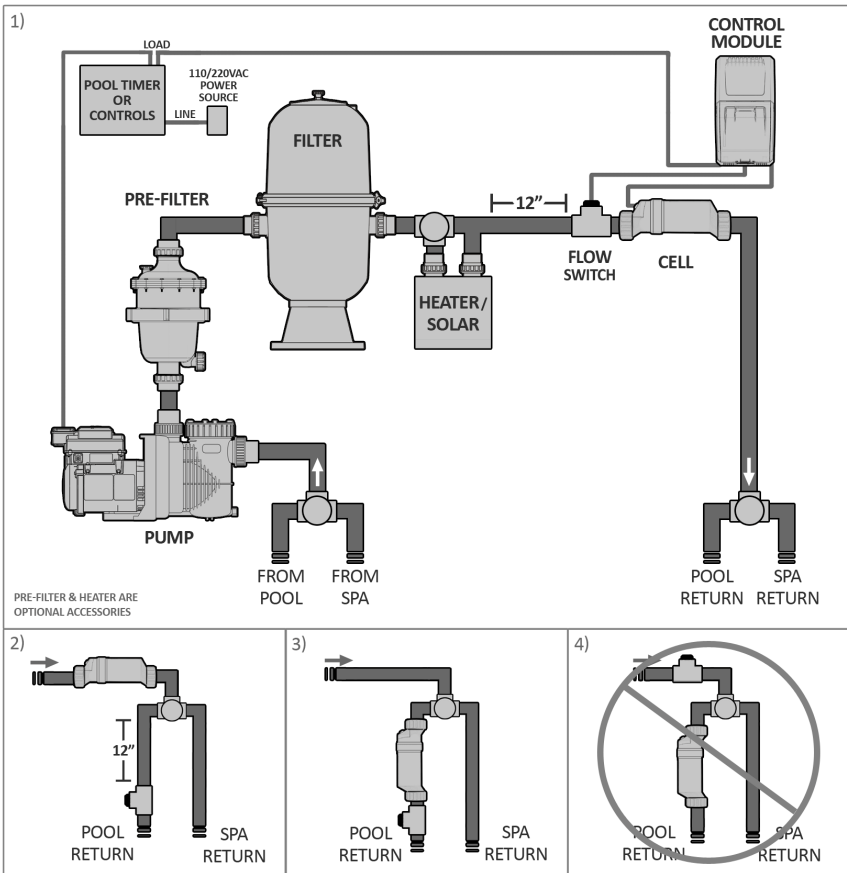
When the titanium blades inside the Electrolytic Cell have reached the end of their lifespan, replacements are available so that the whole system does not have to be removed. Replacements are easily switched out. To ensure quality and value, only genuine CircuPool replacement parts may be used.

# INSTALLATION

**IMPORTANT:** If you haven't already done so, it is important that the pool's water chemistry is balanced before the RJ Series is powered on and used. See pages 3 - 7 for more information.

## Overview

Below are common installation configurations. Be sure to avoid any configuration that may potentially allow water to pass through the Flow Switch, but not the Cell (Configuration #4).



**NOTE:** The following are basic plumbing instructions for the typical installation (Configuration #1), which entails positioning the Flow Switch and Cell adjacent to each other on 2" plumbing. Your installation may vary depending on space available and your specific arrangement of equipment.

**IMPORTANT:** Ensure that the pool pump and all electrical power are turned off before installation.

**TIP:** Confirm installation layout and measurements first before cutting and gluing! Double-check that Cell and Flow Switch cables can reach the Control Panel (approximately 14').

## Installing the Electrolytic Cell and Flow Switch

The Cell and Flow Switch are to be fitted into the return line as the last pieces of equipment the water passes through before returning to the pool: always after the pump, filter, heater (if applicable), etc. If a heater is present, all equipment must be a minimum distance away, per heater manufacturer recommendations.

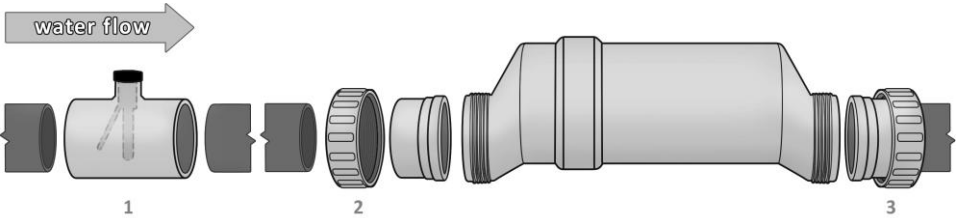
Lay out your equipment to ensure there is enough pipe space available.

- When positioning the Flow Switch, ensure at least 6 to 12" (30cm) of straight pipe before the Flow Switch. If installed after the Electrolytic Cell, the Cell provides this space. The raised arrow on the black plastic hex-top must be pointed with the direction of water flow as it returns to the pool. If installed horizontally, ensure that the wire-side faces upwards. The Flow Switch is approximately 4" in length; the typical plumbing gap required is 1 ¼".
- When positioning the Cell, you can consider the side of the cell with the cord the "inlet" side. If installed horizontally, ensure that the wire-side faces upwards. From end to end, the Cell with both Unions is approximately 15 ¾" in length; the typical plumbing gap required is 13 ¼".

Refer to the overview diagram on page 16 for alternate configurations. For combined pool and spa systems with a spillover, configurations #2 or #3 allow chlorination for both the pool and spa during spillover but preventing possible over-chlorination when operating the spa only. Vertical Installation Kits are also available to minimize plumbing space required and increase ease of installation (sold separately, available at [www.circupool.com](http://www.circupool.com)).

**TIP:** When gluing PVC, parts will slip in place easier once glue is applied. Be sure to apply firm, constant pressure between both glued parts for up to a minute to prevent potential slippage.

**Note:** From the supplied components, select the plumbing fittings that match the existing pool plumbing size (1 ½" or 2"). Discard unneeded fittings. For installations using 1 ½" Cell Unions, you will also use 2"-to-1 ½" reducer bushings with flow switch. Be sure to note any new or additional measurements before cutting pipe.

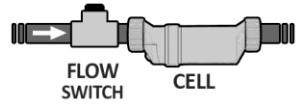


After determining the section of plumbing to install the Flow Switch and Cell, measure out and mark the selected area.

1. To install the Flow Switch, cut out a section of pipe at the desired installation location. Use PVC Primer to clean and prepare the pipe ends and interior of Flow Switch. Using plumbing Solvent Cement, glue the Flow Switch to the pipe ends. Ensure excess glue does not become affixed to movable parts within Flow Switch. **IMPORTANT:** To insure proper operation, verify that the arrow on the flow switch (located on the black plastic) points in the direction of water flow; the water flow must depress the hinged activator inside of the Flow Switch. This portion is threaded and can be turned during service; additional thread seal tape may be added if necessary.
2. To install the Cell Unions, cut out a section of pipe at the desired installation location. Clean parts and plumbing with PVC Primer to prepare the pipe ends and interior of Unions. **Place the Threaded Collars over the pipe ends.** Using plumbing Solvent Cement, glue one Union to the pipe end.
3. Hold the Cell and second Union up to the first, to gauge the correct distance before gluing the second Union to the remaining pipe end. If the distance does not appear to be correct, make any needed adjustments, then glue remaining union. Allow sufficient time for glue to dry.

Ensure that the O-rings are fitted to the Unions. Place the Electrolytic Cell between the Unions and tighten the Collars onto the Cell. For a watertight seal, do not over-tighten the Collars, and only tighten them by hand.

When using a **Variable-Speed** or **Multi-Speed** pump on a low speed setting, or for general circumstances where flow is less-than-adequate, the cell must be inverted in order to ensure adequate flow & efficient chlorine production.

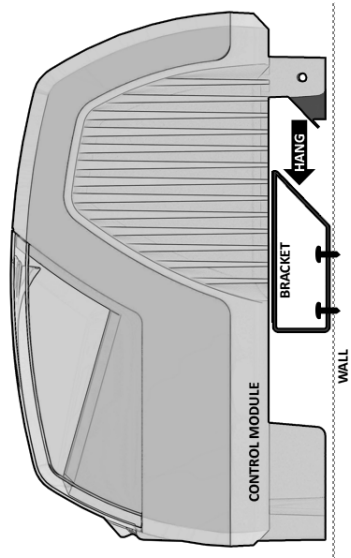


## Installing the Control Module

Mount the Control Module as close to the pump and filtration system as possible. For safety concerns, do not install the Control Module within 10 feet of the pool edges, and follow all applicable codes. Verify that the Cell and Flow Switch cables can reach the Control Module from the section of pipe selected for plumbing.

**Overview:** Using screws, secure the Control Module's mounting bracket at a comfortable level on a wall or vertical support, at least 3 feet above ground level. Hang Controls on bracket. Minimize direct exposure to rain, sunlight, water runoff, and lawn sprinkler systems. As with most electronics, avoid placing the controls in tightly enclosed or insulated spaces to avoid a build-up of excess heat.

For operation, the Control Module may be wired in to the pump's power source so that both turn on and off together, or energized continuously for use with variable speed pumps (Flow switch will control Cell power but lights will remain on). (see Wiring on page 20).



**TIP:** Do not operate unit until all salt is dissolved in pool water and salinity is verified between 3000-4000 ppm.

## Wiring

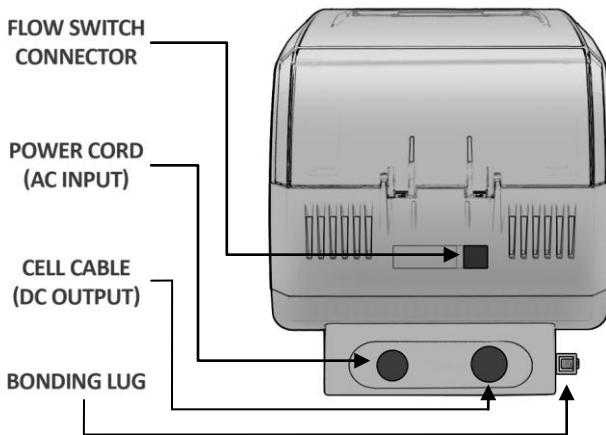
**Power must be shut off at the circuit breaker before performing any wiring.** Be sure to follow local and NEC/CEC electrical codes. The CircuPool RJ-Series has been designed to easily wire into typical in-ground pool systems. To provide safe operation, the unit must be properly grounded and bonded.

### Bonding:

A lug used for bonding is attached to the bottom of the RJ-Series Control Module. The Control Module must be bonded with an 8 AWG copper wire to the pool bonding system.

### Electrolytic Cell and Flow Switch Connections:

The Cell and Flow Switch cables have easy plug-in connectors, which attach easily to the Control Module. Refer to the diagram below for the location of these connections.



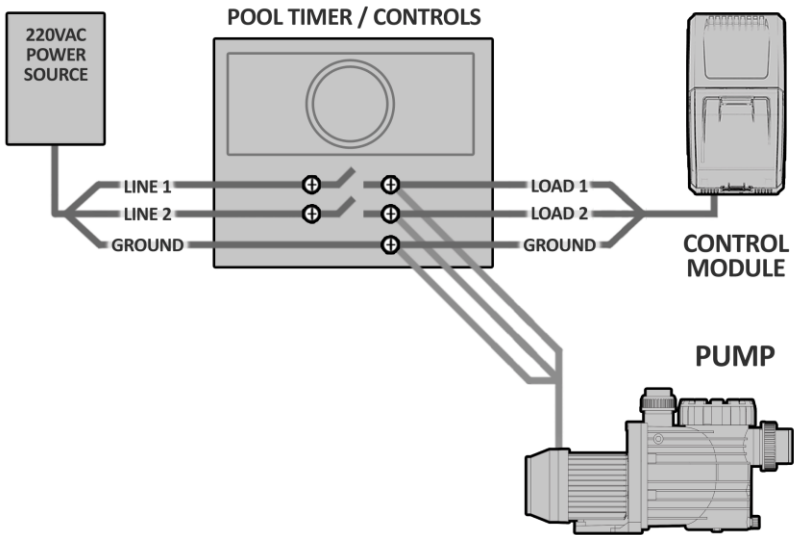
### Wiring to Power Source:

**Always double-check the voltage of your power source.** Connection to improper voltage can: a) cause severe damage/harm, or b) cause lights and screen to power on without system function.

The RJ-Series is shipped from the factory with a 240 VAC configuration. If 120VAC is needed, move the internal jumpers as shown on page 23. If unsure, seek professional advice.

## Wiring (Continued)

The Control Module comes with an un-terminated Power Cord (AC Input) which is typically connected to an external timer, which will turn the pump and Control Module on and off together. Have the Control Module wired to the load side of the timer by a qualified person. See the following diagram for typical wiring.



In some parts of the United States and Canada, the Control Module must be connected to a circuit protected by a Class A ground fault interrupter (GFI). Check local codes before connecting.

When used with variable-speed or other electronically controlled pumps, you may wish to wire the Control Module directly to your power source. This will allow the pump to determine when the Cell is energized or dormant by activation of the Flow Switch.

At this point, this installation of your equipment is complete. If the water has not yet been prepared, then you are ready to begin adding salt and balancing your water chemistry. Turn the Control Module to the Power Off mode until enough salt has been dissolved in the water.

# INSTALLATION CHECKLIST

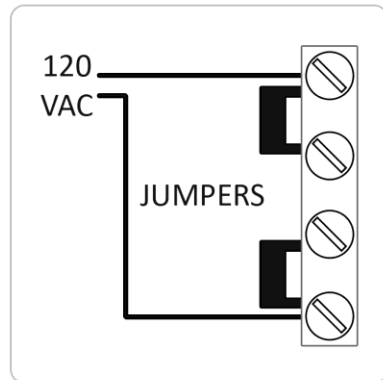
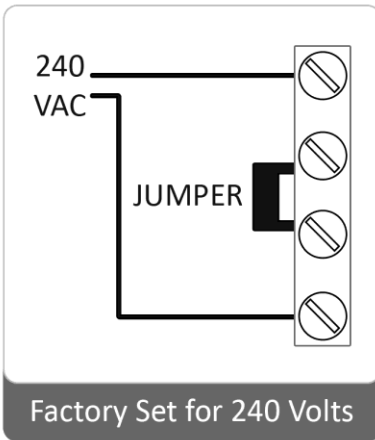
- Cell Unions installed and glued into pipe work.
- Threaded Collars on either side of the Cell are hand tight.
- Flow Switch is installed and oriented properly.
- Control Module is affixed to wall and wired correctly.
- Cell Cable and Flow Switch are connected to Control Module.
- You have checked and confirmed that Control Module switches ON and OFF concurrently with filter pump, or is energized continuously for use with variable speed pump.
- You have checked all connections and joints for leaks.
- Sufficient salt has been added and fully dissolved and circulated throughout pool water.
- Pool has properly balanced water chemistry.

# VOLTAGE CONVERSION

**Always double-check the voltage of your power source.** Connection to improper voltage can: a) **cause severe damage/harm**, or b) cause lights and screen to power on without system function.

All service should only be attempted by a person with appropriate electrical skills, with all equipment disconnected from power.

The RJ Series is shipped from the factory with a 240 VAC configuration unless specially ordered. If 120VAC is needed, move the internal jumpers as shown below. **If unsure, seek professional advice.**



This set of terminal screws can be located inside of the Control Module, and accessed by removing the six screws from the Control Module's aluminum base. The factory voltage setting is the 240V configuration, with a jumper clip inserted between the second and third terminals. The Control Module can be made to accept 110V by reconfiguring the jumper clips as shown above right, with two jumper clips instead connecting the first & second terminals, and the third & fourth terminals.

# HELPFUL HINTS

For more detailed information and useful tips, visit [www.circupool.com/help](http://www.circupool.com/help).

Proper operation of the chlorine generator can be easily verified by checking the lights on the control panel. However, if the pool remains cloudy, or the chlorine residual tests low, then the chlorine being produced is being lost due to high chlorine demand or improper water conditions.

To reduce the chlorine demand, check the pH and Stabilizer (Cyanuric Acid) reading. Check for phosphates and nitrates, which commonly contribute to severe chlorine demand. If tests show correct, then a shock treatment with an oxidizer agent is advised. Generally, superchlorination is not necessary if the pool is maintained at correct levels.

## Recommendations and Helpful Hints:

### Recommended List

- Read and keep your manual in a safe place.
- Increase Chlorine Production when temperature goes up.
- Increase Chlorine Production when number of guests goes up.
- Use Stabilizer (Cyanuric Acid) to protect free chlorine in pool.
- Mount Control Module in shade or out of the direct sunlight whenever possible.
- Decrease Chlorine Production when temperature goes down.
- Take pool water sample to a Pool Professional at least once per month.

### Not Recommended List

- Do not allow fertilizer anywhere near your pool. Fertilizers are one of many sources that contain Nitrates or Phosphates which cause severe chlorine demand in pool water.
- Never use dry acid to adjust pH. A build-up of by-products can damage the Cell.
- Do not add any chemicals (including salt) to the skimmers.
- Do not let salinity level drop below 3000 ppm.

## **Definitions:**

### **Algae**

Plant-like organisms which grow in water. Especially active in summer conditions, where chlorine disinfectant level is too low to destroy them. Algae may be green, brown, pink, or black (Black Spot) in color.

### **Chlorine Demand**

The amount of chlorine that should be added to the water to provide proper bacteria and algae control.

### **Chlorine Residual**

The amount of chlorine left over, after the “demand” has been met.

### **Combined Chlorine**

Weak chlorine which is combined with the contaminants in the water.

### **Free Chlorine**

Active chlorine in the water with the potency to destroy contaminants.

### **Shock Treatment**

The removal by means of oxidation of those materials that have chlorine demand.

### **Superchlorination**

An extra large amount of chlorine added to the water.

# TROUBLESHOOTING

SCENARIO:	POSSIBLE CAUSE:	SUGGESTED ACTION:
<b>Low or no chlorine residual in pool</b>	Insufficient Chlorine Output Level	Increase Output Level. This is often required seasonally with increasing temperatures.
	Insufficient run time	Increase run time to at least 1 hour per 10° ambient temp.
	Heavy pool use, inclement weather, organic matter	Activate Super CL mode or chemically shock pool.
	Water chemistry issues: Low Chlorine Stabilizer Low salt in pool Phosphates in pool Nitrates in pool	Contact pool professional, ensure all chemicals on p.6 are within range.
	Cell is dirty, clogged, or Has excessive scaling or mineral build-up	Remove Cell from plumbing, inspect and clean (see p.13).
<b>Low or no Chlorine residual in pool after recent installation</b>	Water chemistry was not balanced prior to system installation and a high chlorine demand persists	Contact pool professional, ensure all chemicals on p.6 are within range, chemically shock pool if necessary.
	System is connected to incorrect voltage and is not operational	Have a professional test power source and ensure correct connection.
<b>Cell Maint. LED is on</b> (Has priority over salinity LED indicators if also lit.)	It is time to clean the Electrolytic Cell.	The Cell must be cleaned (see page 13 for instructions).
	Cell efficiency has been greatly reduced	Inadequate water flow exists, or Cell must be replaced.
	Incorrect Cell Version set	Verify Cell Version in Status Menu.
	Salinity is out of range	Verify salinity (see page 3).
<b>No Power</b>	Fuse/Reset has tripped	Check fuses on Control Module
	Problem with input power, voltage, or configuration of system wiring	Have a professional test input power & ensure correct wiring configuration & connections.

<b>Lo Salt LED is on / Hi Salt LED is on</b>	Salinity is out of range	Verify salinity (see page 3).
	Loose cell connection, Cell is dirty or clogged	Ensure correct connection, clean Cell if necessary.
	Incorrect Cell Version set	Verify Cell Version in Status Menu.
<b>No Flow LED is on</b>	Incorrect installation	Verify correct orientation, cable is plugged in, 6-12" of straight pipe before Flow Switch
	Insufficient circulation	Ensure operation of pump, at least 25-30 GPM. Check water level, filter pressure, or for air or blockages in PVC plumbing.
<b>Water leak</b>	O-Ring improperly seated	Ensure O-Rings are clean and in good condition.
	Threaded collars are cross-threaded	Inspect threads for damage, ensure that each screws back on without resistance.
<b>Real-Time Salinity and Cell current read zero</b>	Zero reading during normal rest cycle	No action is required. Will rise after rest cycle or raising output
	Incorrect voltage	Have professional check wiring.
	Incorrect Cell Version set	Verify Cell Version in Status Menu.
	No Flow, Lo Salt, High Salt or Cell Maint. LED on	See above.
<b>Cell frequently has mineral buildup</b>	This is due to imbalanced water chemistry and a high Saturation Index	Ensure that your Saturation Index is at or near zero, in order to avoid damage or premature cell failure. (p.6)
<b>Cell never or rarely has mineral buildup</b>	Water may be corrosive due to imbalanced water chem. and a low Saturation Index	Ensure that your Saturation Index is at or near zero, in order to avoid damage or premature cell failure. (p.6)
<b>HOT or COLD on screen</b>	Water temperature is too hot or cold for operation	Check operation of heater, or turn off until water temp is above 60°.
	Cell is dirty or clogged	Clean Cell (see p.13).
	Damaged Cell or Cell cable	Contact manufacturer.

**For more information or troubleshooting, visit [www.circupool.com/help](http://www.circupool.com/help)**

# CIRCUPOOL LIMITED WARRANTY

**CircuPool RJ Series Electronic Chlorine Generators** carry the following Limited Warranty should failure occur due to faulty manufacture or materials, during normal use and service. For residential use, the manufacturer warrants to the original purchaser that the equipment shall be free of manufacturer's defects at the time of sale, and upon examination shall provide replacement parts in accordance with the following schedule:

- Year One- No charge for parts.
- Year Two- Parts supplied at 20% of base price.
- Year Three- Parts supplied at 40% of base price.
- Year Four - Parts supplied at 60% of base price.
- Year Five - Parts supplied at 80% of base price.

For Commercial use (any pool that is not for private single-family use, or the use of which is subject to regulation), parts are warranted against defect for a period of one year.

This limited warranty is subject to the following terms, conditions, and exclusions:

1. To obtain the benefits of this warranty, contact the warranty department for troubleshooting. You may obtain current contact information at [www.circupool.com/help](http://www.circupool.com/help). Warranty claims must be initiated in a timely manner. Upon discovery of a defect, the warranty department will issue a Return Merchandise Authorization (RMA) and defective items and parts are to be shipped by customer to an authorized service representative, freight prepaid.

Upon examination, the determination of the cause of failure shall be made solely by CircuPool Products. The date upon which the claim is submitted and an RMA is issued shall solely serve to determine at what point the claim falls within the schedule of warranty proration, in comparison with the original purchase date. No packages will be accepted without a RMA number.

2. Should a defect in any item or part covered by the warranty become evident during the warranty's term, CircuPool Products will at its sole discretion repair or replace such item or part. CircuPool Products reserves the right to replace defective parts with new or refurbished parts. This warranty does not include the cost of labor or transportation charges for equipment or component parts to or from CircuPool Products, or the removal, reinstallation, or any such costs incurred in obtaining warranty replacements or repair.

3. This warranty extends to the original retail purchaser and original installation site only, beginning at the original date of purchase, and is non-transferrable.

4. The warranty contains the following exclusions. O-Rings, rubber gaskets, electrical fuses, and circuit-breaker components are normal replacement items subject to wear and are excluded from the warranty. Product discoloration, or any other cosmetic or superficial damage or deterioration, regardless of its cause, is not covered by this warranty. The warranty is not applicable to problems arising from circumstances outside the control of CircuPool Products, including, but not limited to the following:

A. Damage or premature wear due to improper pool chemistry, and failure to maintain pool water chemistry in accordance with the recommendations contained in the owner's manual.

B. Damage due to improper installation or connection to improper voltages, including materials and workmanship supplied by others.

C. Damage due to negligence or failure to properly maintain equipment, including the maintenance of clean and tight electrical connections.

D. Damage due to improper service, as well as unauthorized equipment modifications and use of non-genuine replacement parts.

E. Damage due to misapplication, misuse, abuse, or failure to operate equipment as specified in the owner's manual.

F. Problems resulting from tampering, accident, fire, flood, freezing, lightning, insects, or other natural elements, or other circumstances beyond the control of CircuPool Products.

G. Damage due to over-tightening of threaded components or excessive pressure or stress.

The liability of CircuPool Products shall not exceed the repair or replacement of defective items or parts under the referenced limited warranty terms. There are no implied warranties of merchantability or fitness for a particular purpose that apply to this equipment. Under no circumstances shall CircuPool Products, its agents, employees, and affiliates be liable for any loss, damage, injury, inconvenience or loss of time, incidental expenses such as labor and material charges, or any other incidental, or consequential damages, which may result from the use, installation, removal, or reinstallation of its equipment and parts.

This warranty is valid only in the United States of America. This warranty gives you specific legal rights and you may also have other rights, which vary from state to state. This warranty supersedes all previous publications. Any dispute between the original purchaser and CircuPool Products will be settled by binding arbitration, conducted in Harris County, Texas, under the rules of the American Arbitration Association.

CircuPool Products, 5730 B Greens Rd, Houston, TX 77032

(888)-206-9938. [www.circupool.com/help](http://www.circupool.com/help)





For models: *RJ-16, RJ-20, RJ-30, RJ-45, RJ-60*